



**BREAKER
TECHNOLOGY,
INC.**

an Astec company

TC SERIES Hydraulic Compactors

The unique design of Breaker Technology's TC Series of hydraulic compactors delivers high impulse energy for superior compaction. Five models satisfy a wide range of compaction applications and customer needs.

Features & Benefits

High Performance, Low Maintenance

The motor design requires minimal oil flow leaving sufficient oil for effective boom movement. Optional high or low flow motor configurations allow you to match the motor to your specific hydraulic requirements. Flow control valves, standard on the TC51 and optional on the TC71, protect the rotating group from over-speeding, ensuring optimum operating speeds by returning excess flow to the tank.

High frequency operation and high ground pressure are standard to achieve maximum proctor densities and high lifts.

Internal anti-cavitation valves permit the motor to slow down safely after shutting off the control valve, eliminating shock loading to the rotating group.

Oil Bath Lubrication

Oil bath lubrication ensures continuous bearing lubrication and eliminates the need for manual greasing.

Rubber Isolators

Large rubber isolators prevent vibration in the upper structure, delivering maximum energy through the base plate and into the soil, providing excellent proctor densities.

The TC92 and TC152 lattice design places the isolators in compression not in shear. This extreme duty lattice design excels in continuous compacting applications, helping to resist extreme downward force while providing optimum dampening.

Bracket Options

Mounting brackets range in variety of configurations, including dedicated, swivel and variable pin center (QA), to meet most interface requirements.

Swivel Top Mount

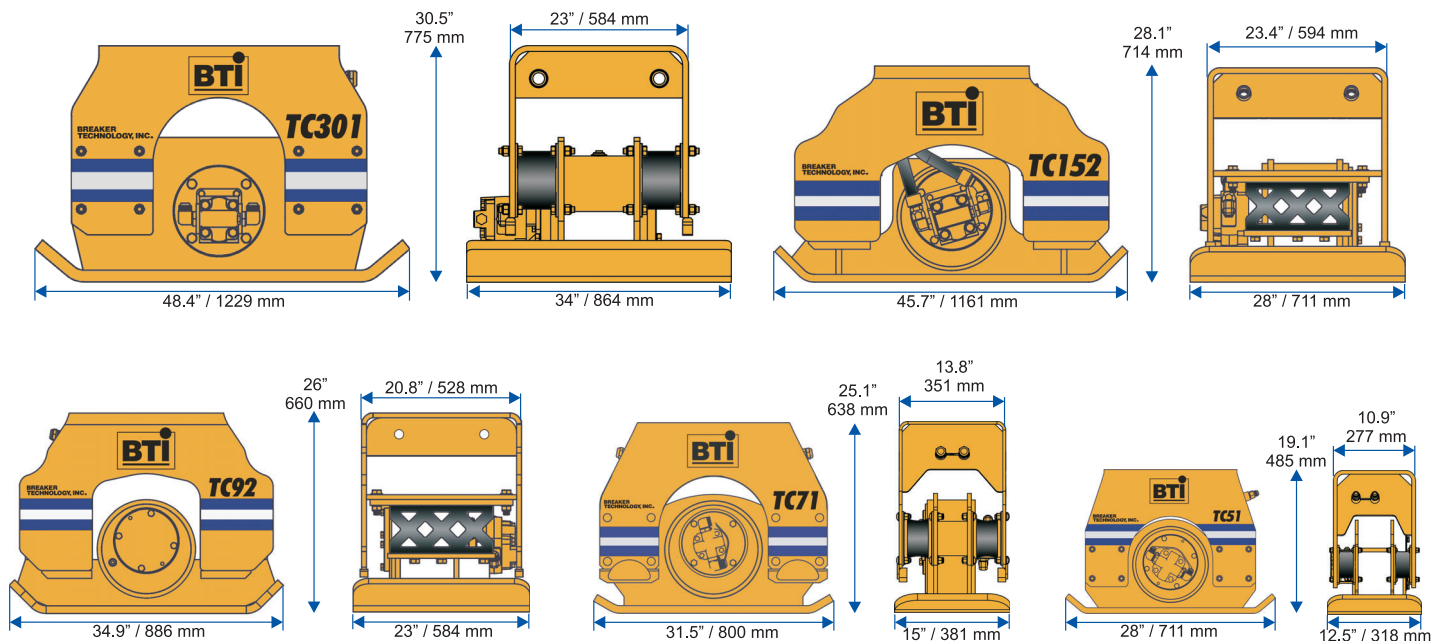
Swivel top mounts are available on the TC71, TC92 and TC152 compactors. Controlled compaction is achieved by locking the swivel mount in different positions of 45 degree increments. By removing the pin, the compactor can "free float".

Universal Adjustable Boss

Both the QA Swivel and QA Non-swivel mounts come with BTI's unique adjustable boss mounting system which allows adjustment of the pin spacing to accommodate quick-coupler installations on most common rubber tire backhoes.



TC Series Hydraulic Compactors



Specifications	Units	TC51 -L/FC	TC51 -H/FC	TC71 /FC	TC71 /FC	TC92	TC152 -L	TC152 -H	TC301 -L	TC301 -H
Minimum Carrier Size	lbs	2,000	2,000	5,500	5,500	7,700	15,400	15,400	14,500	14,500
	kg	907	907	2,494	2,494	3,492	6,984	6,984	6,576	6,576
Maximum Carrier Size	lbs	10,000	10,000	15,500	15,500	25,300	48,400	48,400	105,600	105,600
	kg	4,535	4,535	7,029	7,029	11,474	21,950	21,950	47,891	47,891
Operating Weight ¹	lbs	295	295	610	610	1,130	1,820	1,825	2,150	2,155
	kg	134	134	277	277	512	825	828	975	977
Impulse Force @ Min. RPM	lbs	1,930	1,930	2,600	2,600	5,500	11,130	11,130	16,330	16,330
	kg	875	875	1,179	1,179	2,494	5,048	5,048	7,406	7,406
Impulse Force @ Max. RPM	lbs	3,000	3,000	5,000	5,000	8,200	16,630	16,630	24,400	24,400
	kg	1,361	1,361	2,268	2,268	3,719	7,542	7,542	11,066	11,066
Ground Pressure @ Min. RPM	psi	7	7	7	7	9.2	11.2	11.2	13.4	13.4
	bar	0.48	0.48	0.48	0.48	0.63	0.77	0.77	0.92	0.92
Ground Pressure @ Max. RPM	psi	10.9	10.9	13.6	13.6	13.7	16.7	16.7	20	20
	bar	0.75	0.75	0.94	0.94	0.94	1.15	1.15	1.38	1.38
Minimum Flow Rate	US gpm	7.2	10.7	11.7	11.7	20.6	26.7	37.4	37.4	53.5
	lpm	27.2	40.4	44.2	44.2	77.9	100.9	141.4	141.4	202.2
Maximum Flow Rate	US gpm	12	18	16.3	22	25.2	32.7	45.7	45.7	65.3
	lpm	45.4	68.0	61.6	83.2	95.3	123.6	172.7	172.7	246.8
RPM @ Minimum Flow	RPM	1,800	1,800	1,800	1,800	1,800	1,800	1,800	1,800	1,800
RPM @ Maximum Flow	RPM	2,240	2,240	2,500	2,500	2,200	2,200	2,200	2,200	2,200
Operating Pressure @ Min. Flow ²	psi	920	700	820	920	970	1,600	1,190	1,480	1,080
	bar	63	48	57	63	67	110	82	102	74
Operating Pressure @ Max. Flow ²	psi	1,135	860	1,130	1,230	1,200	1,964	1,460	1,820	1,330
	bar	78	59	78	85	83	135	101	126	92
Max. Relief Valve Setting	psi	2,800	2,800	2,800	2,800	2,800	2,800	2,800	2,800	2,300
	bar	193	193	193	193	193	193	193	193	159
Recommended Relief Valve Setting for all models:		2,000 psi / 138 bar								
Maximum Continuous Return Line Pressure for all models:		245 psi / 17 bar (Maximum return line pressure at constant operating speed)								
Maximum Intermittent Return Line Pressure for all models:		490 psi / 34 bar (Maximum intermittent return line pressure during acceleration & braking)								

-L = Low Flow Motor -H = High Flow Motor /FC = Flow Control

All dimensions and specifications are approximate and subject to change without notice.

¹ Approximate weight may differ due to mounting configurations.

² Flow rate determined at 93% volumetric efficiency. Operating pressure assumes 150 psi line loss and 93% mechanical efficiency - actual conditions may vary.

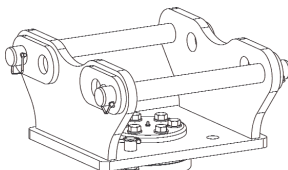
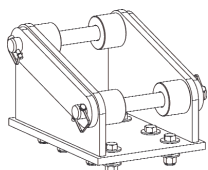
Non-swivel Dedicated

Available for all models.

Also available:

Swivel Dedicated
- TC71, TC92 & TC152

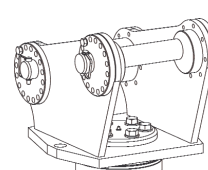
Non-swivel ME - TC51 & TC71



Two-pin Swivel

Available on TC152.

Two-pin Non-swivel is available for TC152 and TC301.



QA Swivel

Available for TC71, TC92 & TC152

QA Non-swivel is also available for TC71, TC92 & TC152

Brackets are complete with pins, collars and bushings. Consult factory for custom brackets and multiple OEM pin centers.

BREAKER TECHNOLOGY an Astec Industries Company

UNITED STATES EAST 440.248.7168 • UNITED STATES WEST 951.369.0878 • CANADA/INTERNATIONAL 519.599.2015 • rockbreaker.com

